



G-M-I, INC. 4822 East 355th Street, Willoughby, Ohio 44094-4634 USA
 Telefon: 440-953-8811 Telefax: 440-953-9631

email: gmiinc@msn.com
 url: www.gmigaskets.com

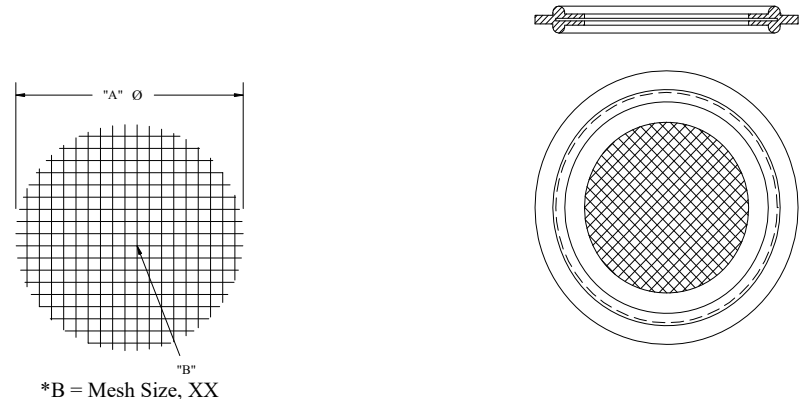
PLASTIC SCREENS for GMI PS Gaskets™
TC, TriClover, Style

Material/ Part Number	Nominal Information for All Sizes, Inches					
	Mesh B*	Wire Dia, (Tk) “		Opening Style / Size “	Openings Per SI	Open Area % Per SI
		Wire	Total			
PE, PolyEthylene, Black, (Expanded), 200°F(93°C), Non-FDA™						
PSGR PEXX-XX/05	5	.060	.120	◇ / .260 X .260	23.8	80.4
PSGR PEXX-XX/08	8	.030	.060	◇ / .150 X .150	61.7	69.4
PSGR PEXX-XX/12	12	.040	.080	◇ / .100 X .100	138.9	69.4
PSGR PEXX-XX/19	19	.030	.060	◇ / .060 X .060	355.6	64.0
Screen Only: PS PE-XX/XX, Where XX/ = Mesh (05, 08, 12, 19). Where /XX = Size (15=1.5”, 20=2.0”, 25=2.5”, 30=3.0”, 40=4.0”, 60=6.0”)						
PP, PolyPropylene, Natural (Clearish), (Expanded), 194°F(90°C), FDA:						
PSGR PPXX-XX/05	5	.047	.094	◇ / .300 X .270	21.1	84.3
PSGR PPXX-XX/10	10	.038	.076	◇ / .160 X .100	93.9	75.1
PSGR PPXX-XX/12	12	.055	.110	◇ / .100 X .080	145.9	58.4
PSGR PPXX-XX/19	19	.014	.028	◇ / .080 X .055	370.8	81.6
Screen Only: PS PP-XX/XX, Where XX/ = Mesh (05, 10, 12, 19) Where /XX = Size (15=1.5”, 20=2.0”, 25=2.5”, 30=3.5”, 40=4.0”, 60=6.0”)						
PT PTFE Teflon, White, (Expanded), 500°F(260°C), FDA/USDA/3-A/USP Class VI:						
PSGR PTXX-XX/20	20	.023/.033	.046/.066	◇ / .036 X .090	384.6	62.3
PSGR PTXX-XX/11	11	.050/.065	.100/.130	◇ / .061 X .160	118.1	57.6
PSGR PTXX-XX/05	5	.070/.085	.140/.170	◇ / .145 X .360	20.5	53.6
Screen Only: PS PT-XX/XX, Where XX/ = Mesh (20, 11, 05). Where /XX = Size (15=1.5”, 20=2.0”, 25=2.5”, 30=3.0”, 40=4.0”, 60=6.0”)						
Gasket: Where XX- = Rubber Material, BB = Buna-N Black, EB = EPDM Black, SB = Silicone Black, VB = Viton Black Where XX/ = “A” Ø for Gasket Size: 15 = 1.5”, 20 = 2.0”, 25 = 2.5”, 30 = 3.0”, 40 = 4.0”, 60 = 6.0”. Where /?? = Mesh “B*” or as Assigned by GMI.						

Please be aware that the above Manufacturer’s Nominal Information May Vary from Part to Part and Batch to Batch!!!

Standard Rubber Color: Black, Other Colors Available upon Request.
 Viton® and Teflon® are registered trademarks of the E. I. DuPont De Nemours Company.

Other PolyEthylene, PolyPropylene and PTFE Teflon® Expanded Meshes / Styles / Sizes are available upon request.



Quality Gaskets from Quality People™

